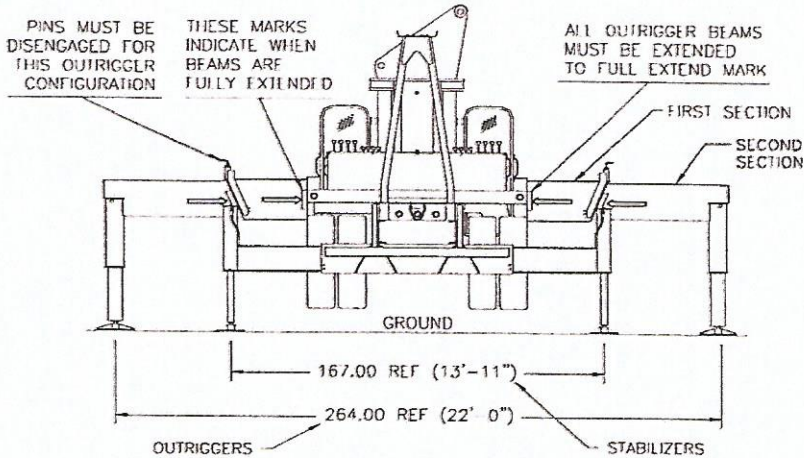


**USE THIS CHART ONLY
WHEN OUTRIGGERS
AND STABILIZERS ARE
FULLY EXTENDED**



- FULL SPREAD CONFIGURATION -

MAIN BOOM LOAD RATINGS IN LBS WITH OUTRIGGERS AND STABILIZERS PLACED AS SHOWN AND THE CRANE LEVEL										JIB LOAD RATINGS IN LBS WITH OUTRIGGERS AND STABILIZERS PLACED AS SHOWN AND THE CRANE LEVEL							
LMI CODE #1										FIXED JIB		TELESCOPIC JIB					
OPERATING RADIUS	LOADED BOOM ANGLE		BOOM LENGTH AND MARKER		LMI CODE #1					OPERATING RADIUS	LOADING ANGLE	JIB LENGTH FOR ALL BOOM LENGTHS SEE WARNING NOTE 4	LOADING ANGLE	JIB LENGTH FOR ALL BOOM LENGTHS SEE WARNING NOTE 4	LOADING ANGLE	JIB LENGTH FOR ALL BOOM LENGTHS SEE WARNING NOTE 4	
	30.5 FT	51 FT	68 FT	85 FT	102 FT	LMI CODE #2	LMI CODE #3	LMI CODE #4									
5	80	60000															
8	75	39690															
10	71	33510	79	22500						10							
12	67	29120	77	22500						12							
15	60	24440	73	21710	79	20590				15							
20	48	19280	67	16910	74	15830	78	14420	81	10500	20						
25	33	15480	61	13850	70	12840	75	12180	78	9650	25	81	5300	81	5100		
30			54	11700	65	10770	72	10140	76	8670	30	79	5300	79	5100	81	3050
35			47	9680	60	9240	68	8640	73	7670	35	77	4990	77	4730	79	3050
40			38	7460	55	7660	64	7490	70	6490	40	75	4580	75	4310	77	3050
45			27	5880	50	6090	60	6190	66	5590	45	72	4190	72	3910	76	3050
50					43	4900	56	5010	63	4860	50	70	3830	70	3550	74	2910
55					36	3980	51	4090	60	4160	55	68	3480	68	3110	72	2740
60					28	3250	47	3360	56	3420	60	65	3020	65	2670	70	2590
65					15	2630	41	2760	53	2820	65	63	2630	63	2280	68	2410
70							36	2260	49	2320	70	60	2310	60	1950	66	2130
75							29	1830	45	1900	75	57	2010	57	1670	63	1880
80							19	1460	40	1530	80	54	1650	54	1350	61	1610
85									36	1220	85	51	1330	51	1030	59	1400
90									29	940	90	48	1050	48	750	56	1200
95									22	690	95	45	810	45	510	54	970
100											100	42	590			51	750
105											105					48	560
	490 LBS	290 LBS	220 LBS	180 LBS	150 LBS	DEDUCTIONS FOR STOWED FIXED JIB											
	730 LBS	440 LBS	330 LBS	260 LBS	220 LBS	DEDUCTIONS FOR STOWED TELESCOPIC JIB											

7300096-002 NR

